

UPDATES

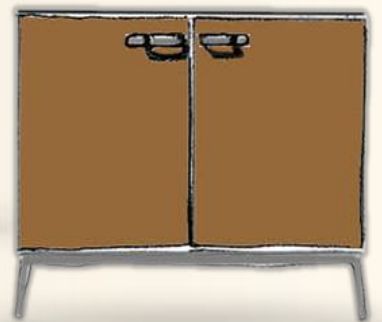
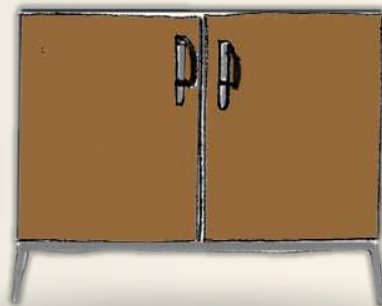
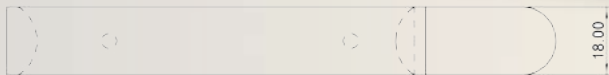
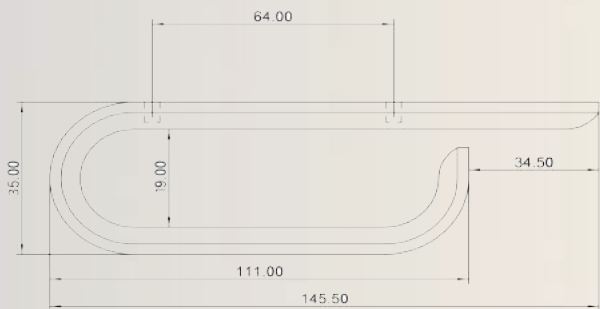


h a n d l e s  
f e r r e t t o

MADE IN ITALY

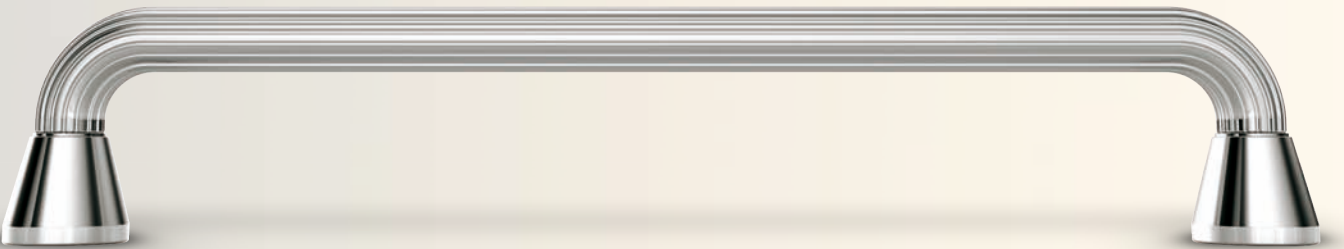


Code KT 15 64

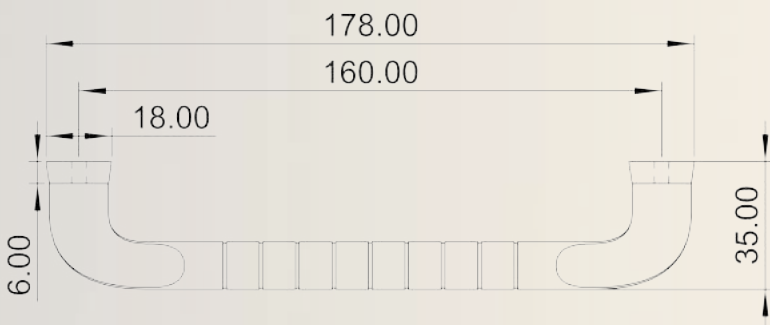
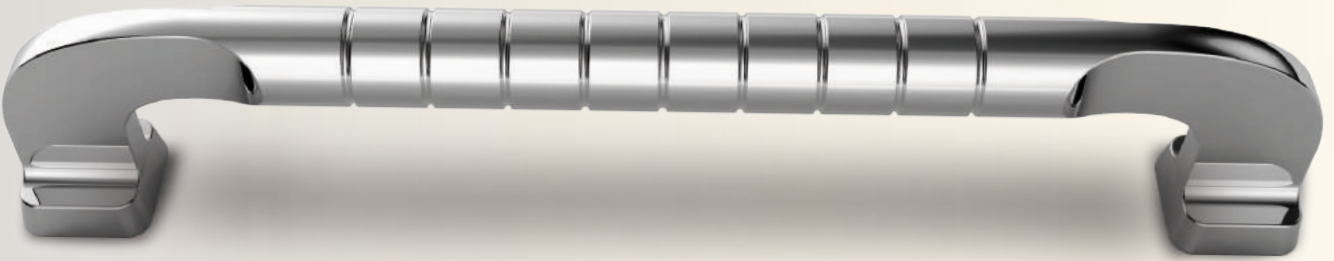
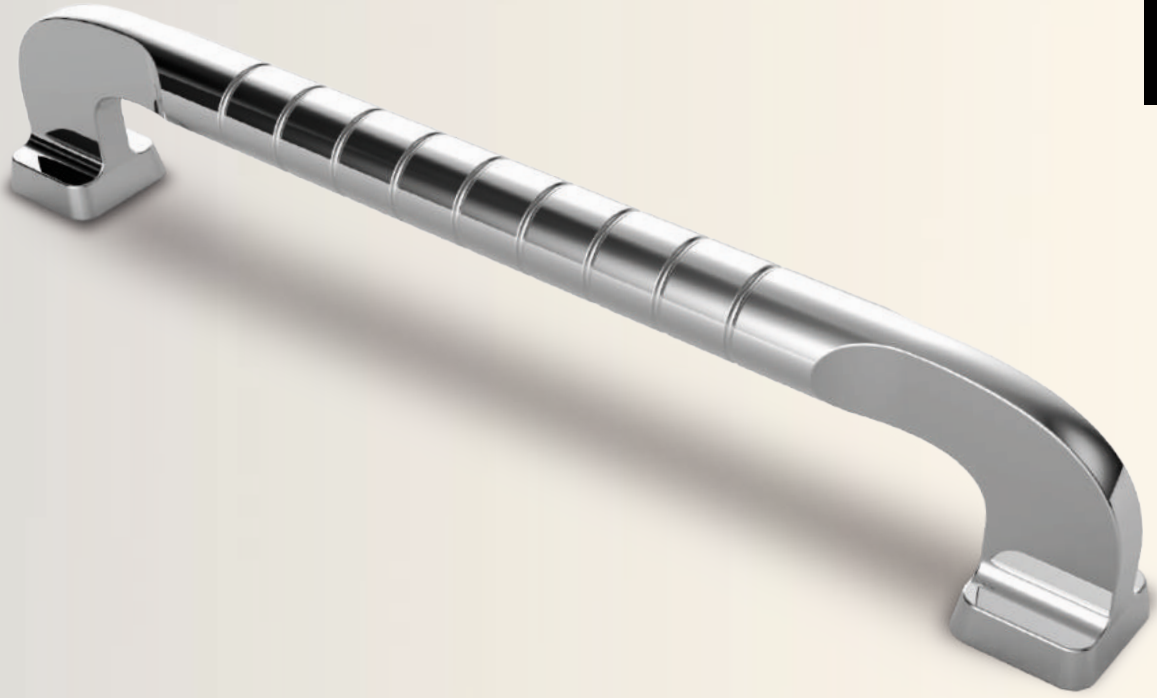




Code KT 16 160



code	hole to hole	length	height	diameter
KT 16 160	160	175	29	10



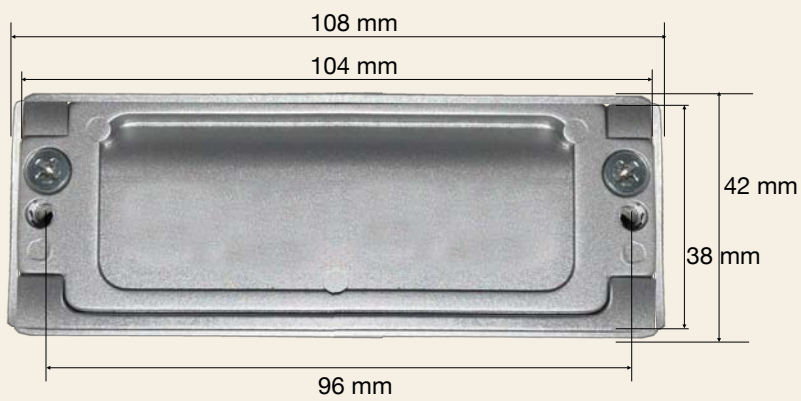
Code KT 14 160

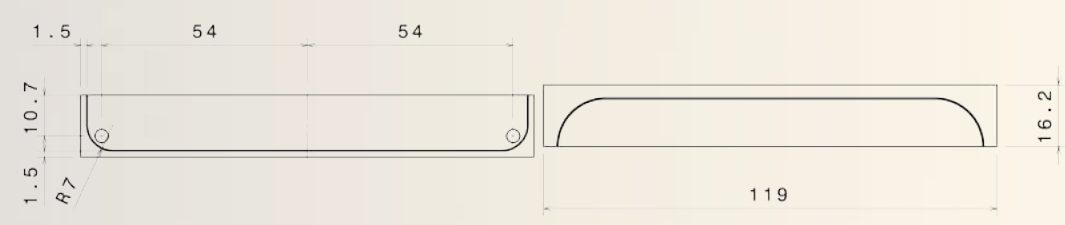


FH

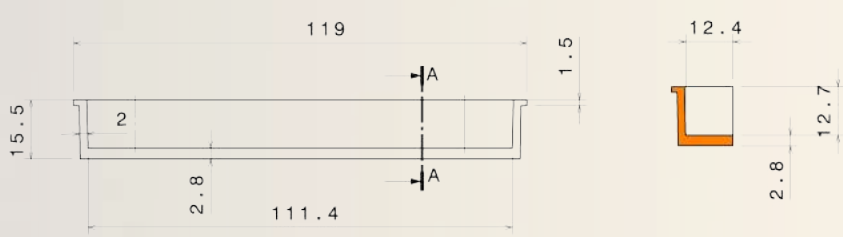


Code KT 063 96



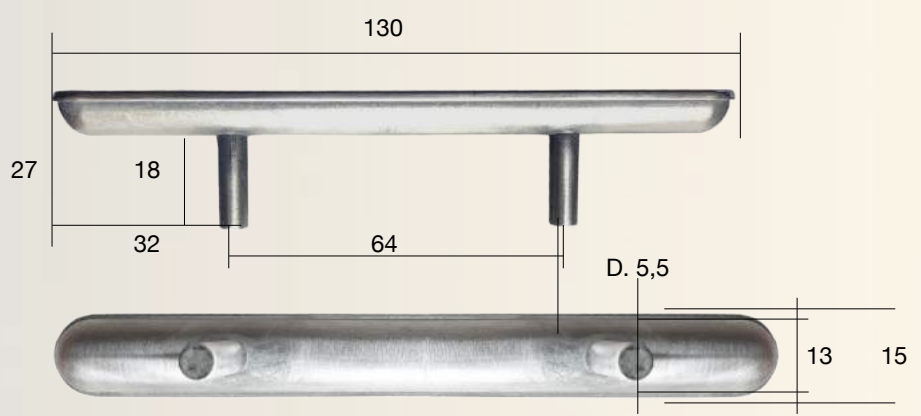


code 066

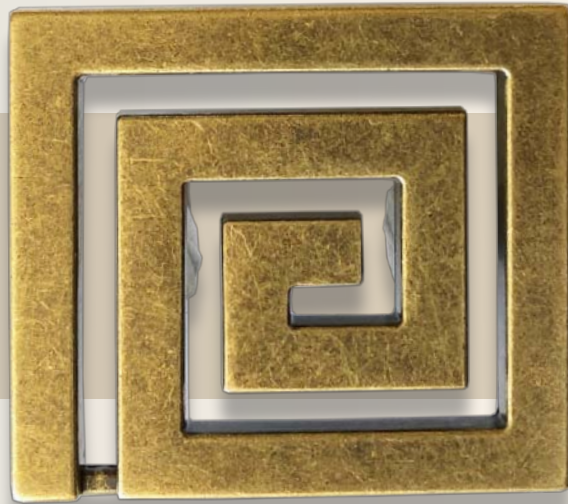


SEZ. A-A

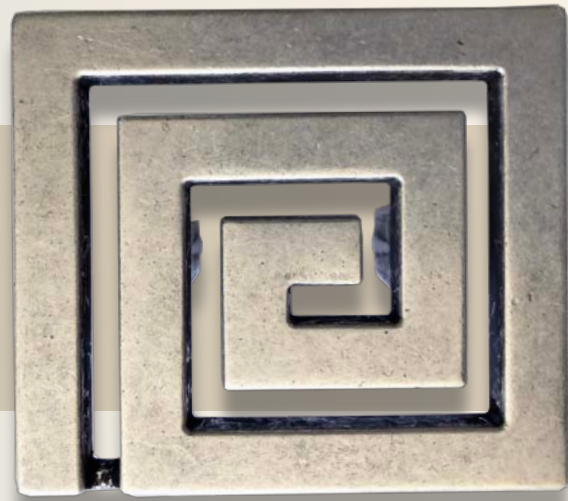
code 063



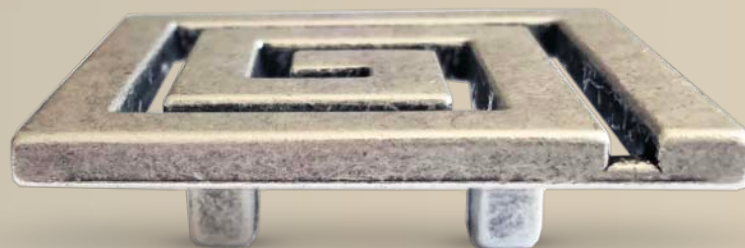




code 075 32 12



code 075 32 16



code	hole to hole	length	height	depth
075 32	32	70	22	62





code 070 160 16



code 070 128 finisches 11



code 070 160 finisches 48 art deco



code 070 160 04

code	hole to hole	length	height	depth
070 128	128	151	19	28
070 160	160	188	19	30

code 352 30 04







code 071 128 finisches 48 art deco



code 071 128 16



code 071 96 16



code 391 0016

code	hole to hole	length	height	depth
071 128	128	172	25	28
071 96	96	135	25	28
391		40	25	26



code 069 96 48 art-déco



code 069 96 12



# Bruxelles

code	hole to hole	length	height	depth
069 96	96	148	39	26





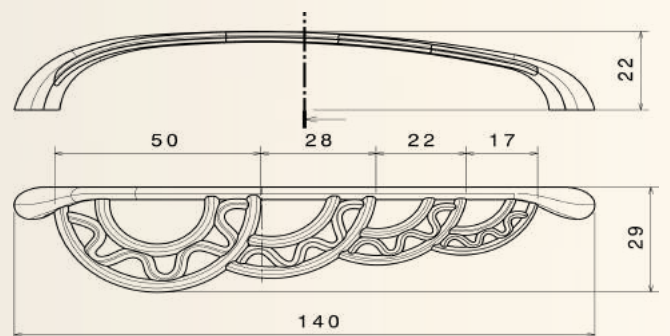
code 063 128 dx finishing 19



code 063 128 sx finishing 15



code 063 128 dx finishing 15



Lido





code 393 55 SWA DIA finishing 15

code 393 55 finishing 16



*Possibility with bicolor*



code 393 45 finishing 12



code 393 45 SWA DIA 15

*possibility with and without swarovski*

code	∅	height
393 55	55	38
393 45	45	33